

## KM490 HDMI and DisplayPort Dual Monitor KVM Switch

KM490

User Manual

*Simplify Your Life*

### About Product

This Dual Monitor KVM Switch is an efficient solution designed to simplify your workspace by allowing two computers to share two displays and four USB peripherals. Equipped with both HDMI 2.1 and DisplayPort 1.4 dual display ports, it supports extended or mirrored display modes with an ultra-high video resolution of up to 8K at 60Hz for crystal-clear visuals.

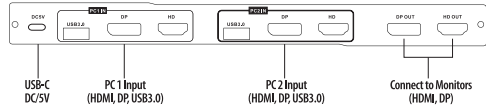
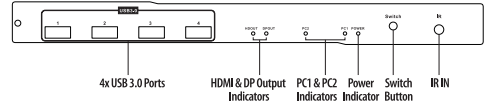
This KVM switch also features an integrated 4-port USB 3.0 hub, enabling you to simultaneously toggle both displays and connected USB peripherals. Four SuperSpeed USB ports offer data transfer rates up to 5Gbps, ideal for connecting devices like mice, keyboards, USB drives, printers, and more. It's backward-compatible with earlier versions of USB, HDMI, and DP, ensuring broad device support.

### Important Note

- Powered by USB, USB-C power cable can be plugged to USB port on computer for 4K@60Hz or lower resolution. USB power adapter is required for 8K@60Hz 4K@120Hz and higher refresh rates
- For stable connection, please use high quality DP and HDMI cables.
- For 8K compatibility, DP 1.4 and HDMI 2.1 cable are required.
- This KVM switch also works in single monitor mode.
- It is recommended to adjust to the same resolution and refresh rate on both computers for smooth switching.

### Features

- Dual monitor KVM switch allows 2 computers to share 2 displays and 4 USB ports
- HDMI and DisplayPort dual display ports support extended or mirrored modes
- HDMI 2.1 and DP 1.4 compliant, support video resolution up to 8K@60Hz
- Integrated 4-port USB 3.0 hub toggled with the display simultaneously
- 4 USB 3.0 ports for connecting mouse, keyboard, USB drive, printer and more
- SuperSpeed USB ports support up to 5Gbps data transfer rate
- Backward compatible with previous versions of USB, HDMI and DP
- Easy to use by pressing the toggle button on the KVM switch or remote control
- Plug and play, no driver required with multi-platform compatibility
- Durable aluminium alloy casing, also efficiently dissipate heat
- LED lights indicating power and active computer



## Specifications

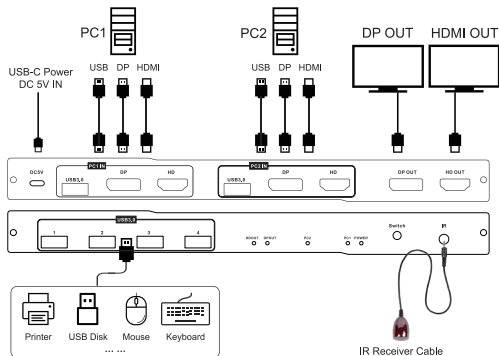
- Model: KM490
- USB Upstream Ports: USB 3.0 AF x2 (Connect to PC1 and PC2)
- USB Downstream Ports: USB 3.0 AF x4 (Connect USB peripherals)
- Monitor Input: HDMI 2.1 x2, DP 1.4 x2 (Connect to PC1 and PC2)
- Monitor Output: HDMI 2.1 x1, DP 1.4 x1 (Connect to displays)
- Power Input: USB-C, DC 5V (power input only, no data transfer function)
- USB Max Bandwidth: SuperSpeed 5Gbps
- Video Max Bandwidth: up to 48Gbps
- Max Video Resolution: 8K@60Hz (7680x4320), 4K@144Hz (3840x2160), 2K@165Hz (2560x1440), 1080p@240Hz (1920x1080)
- Max Cable Length for Input /Output: ≤3m for 8K@60Hz, ≤5m for 4K@60Hz
- Operating Temperature Range: -5°C to 45°C
- Operating Humidity Range: 5 to 90%RH (no Condensation)
- Dimension (L x W x H): 25.9 x 7.4 x 2.6cm
- Operating System Support: Windows, MacOS, Linux, Chrome OS

## Package Contents

- 1x Dual Display KVM Switch
- 2x USB-A to USB-A 5Gbps Data Cables
- 1x USB-C Power Cable (no data transfer function)
- 1x 5V USB Power Adapter
- 1x Remote Control
- 1x IR Receiver Cable for Remote

## How to Connect

1. Connect front 4x USB 3.0 downstream ports to your USB peripherals, such as mouse, keyboard, USB drive, printer and more
2. Connect 2x USB 3.0 upstream ports (**PC1 IN & PC2 IN**) to your computers with USB 3.0 cables (included)
3. Connect 2x HDMI and 2x DP input ports (**PC1 IN & PC2 IN**) to your computers with HDMI and DP cables (not included)
4. Connect HDMI and DP output ports (**HD OUT & DP OUT**) to your monitors
5. To use the remote control, please connect the IR receiver cable to IR port
6. To switch between PC1 and PC2, press the **SWITCH** button, or use the remote control. HDMI, DP and 4 USB ports will be switched simultaneously
7. USB-C power cable can be plugged into USB port on computer for 4K@60Hz or lower resolution. USB power adapter is required for 8K@60Hz, 4K@120Hz and higher refresh rates



## Warranty

1 Year limited Warranty. Our goods come with guarantees that cannot be excluded under the Australian Consumer Law. You are entitled to a replacement or refund for a major failure and for compensation for any other reasonably foreseeable loss or damage. You are also entitled to have the goods repaired or replaced if the goods fail to be of acceptable quality and the failure does not amount to a major failure.

For our assistance with regards to warranty please email to [support@simplecom.com.au](mailto:support@simplecom.com.au) or create a support ticket at <http://www.simplecom.com.au>

© Simplecom Australia All Rights Reserved. Simplecom is a registered trademark of Simplecom Australia Pty Ltd. All other trademarks are property of their respective owner. Specifications and external appearance are subject to change without notice. Warranty and technical support covering this product are only valid in the country or region of purchase.